

DiscProtec® AU DX

Automatic Double Element Disc filter 6", 8", 10" & 12"

Flow rate: 120- 600 m³/hr
Filtration degree: 100-200 Micron
Filtration technology: Disc
Type: Automatic

The double element disc filter is designed for high flow rates. It is efficient, and cost-effective solution designed to protect irrigation systems from impurities and prevent emitter clogging with automated cleaning and minimal water usage during back flushing, this advanced filter system saves time and energy. The integrated Irrimetzer Flush controller ensures optimal operation, enhancing system performance and reducing maintenance efforts.

HIGHLIGHTS

- **Fully Automatic Operation:** Saves time and energy with automatic self cleaning cycles based on pressure differential, time, or manual triggers.
- **High flow rates:** The filter is most applicable for high flow rates.
- **Efficient Back Flushing:** Requires less water and time for effective self cleaning of discs.
- **Advanced Control System:** Equipped with the IrrimetzerFlush controller for precise and efficient operation.
- **High Filtration Efficiency:** Designed for maximum filtration performance, even in challenging conditions.
- **Multiple Connection Options:** Adaptable to both horizontal and vertical pipelines, fitting a wide range of system setups.



APPLICATIONS

- **Agriculture:** Ideal for surface water containing algae and organic matter from reservoirs, rivers, and waste treatment plants.
- **Most suitable for large areas.**
- **Landscaping & Turf Irrigation:** Perfect for institutional parks, residential complexes, sports fields, and golf courses, ensuring uninterrupted water flow and system efficiency.

TECHNICAL DATA

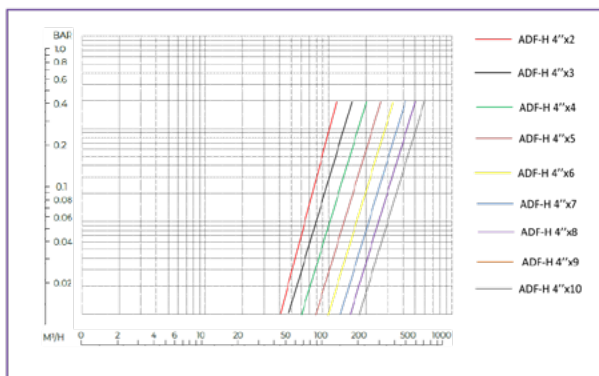
| filter model | | Disc Protec | Disc Protec | Disc Protec | Disc Protec | Disc Protec | Disc Protec | Disc Protec | Disc Protec | Disc Protec |
|---------------------------------------|--------------------|--|--------------|--------------|--------------|--------------|--------------|--------------|--------------|---------------|
| | | AU DX-120 | AU DX-180 | AU DX-240 | AU DX-300 | AU DX-360 | AU DX-420 | AU DX-480 | AU DX-540 | AU DX-600 |
| | | 4" x 2 Units | 4" x 3 Units | 4" x 4 Units | 4" x 5 Units | 4" x 6 Units | 4" x 7 Units | 4" x 8 Units | 4" x 9 Units | 4" x 10 Units |
| Connection Size (Inlet/Outlet) | Inch | 6 | 6 | 8 | 8 | 8 | 10 | 10 | 12 | 12 |
| | mm | 150 | 150 | 200 | 200 | 200 | 250 | 250 | 250 | 315 |
| Connection type | | Grooved / Flanged | | | | | | | | |
| Maximum Recommended Flow Rate* | M ³ /HR | 120 | 180 | 240 | 300 | 360 | 420 | 480 | 540 | 600 |
| Maximum Operating Pressure | BAR | 10 | | | | | | | | |
| Minimum Backwash Pressure | BAR | 2 | | | | | | | | |
| Filtration Area | CM ² | 6,480 | 9,720 | 12,960 | 16,200 | 22,680 | 25,920 | 29,160 | 32,400 | |
| Construction material | | All polymeric (PAGF, PPGF, PP, HDPE, NBR/EPDM, PE), St.St. | | | | | | | | |
| Filtration degree | Mesh | 150 / 120 / 80 | | | | | | | | |
| Maximum Working Temperature (°C / °F) | | 60 / 140 | | | | | | | | |
| Power Input To Controller | By Power Adaptor | 6V / 12V DC | | | | | | | | |
| | By Batteries | 6V By 4 x 1.5 "D" Size Alkaline Batteries | | | | | | | | |
| Flushing Data | | | | | | | | | | |
| Flush Duration Per Filter | | 30 seconds | | | | | | | | |
| Flushing Flow Rate | M ³ /HR | 23 | | | | | | | | |

*Maximum flow rate depends on the quality of water and filtration degree.

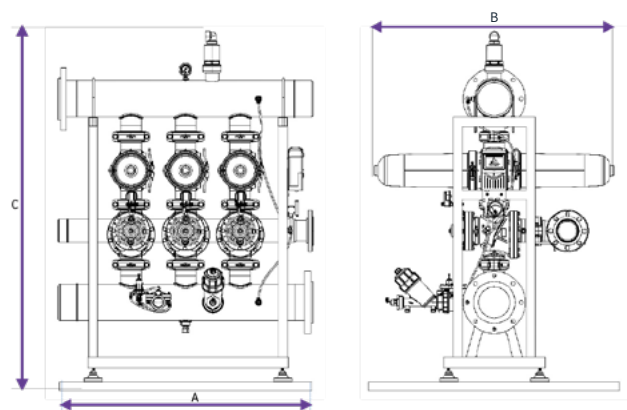
Dimensions

| Dimensions | | AU DX 120 | AU DX 180 | AU DX 240 | AU DX 300 | AU DX 360 | AU DX 420 | AU DX 480 | AU DX 540 | AU DX 600 |
|------------|----|--------------|--------------|--------------|--------------|--------------|--------------|--------------|--------------|---------------|
| | | 4" x 2 Units | 4" x 3 Units | 4" x 4 Units | 4" x 5 Units | 4" x 6 Units | 4" x 7 Units | 4" x 8 Units | 4" x 9 Units | 4" x 10 Units |
| A | cm | 140 | 170 | 200 | 230 | 260 | 290 | 320 | 350 | 380 |
| B | cm | 140 | 140 | 140 | 140 | 140 | 140 | 140 | 140 | 140 |
| C | cm | 190 | 190 | 200 | 200 | 200 | 210 | 210 | 223 | 223 |

Head loss Chart (In clean water)



Multi Unit Filter



Keep in touch!

info@metzerplas.com

metzer-group.com

